

**ASHEVILLE**  
- CURVED -



Cabinets: Shaker White  
Hood: Asheville V3 in Shadow Black

available styles



**V1 Classic Moulding Smooth**



**V2 Flat Moulding Strapped**



**V3 Classic Moulding Strapped**

asheville features

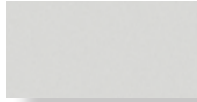
- Curved Chimney Available in 36 & 48" Heights (Trimmable by 6")
- Available in 30, 36, 42, & 48" Widths
- Constructed with a 3/4" Plywood Materials with a Maple Veneer
- Moulding on Apron (Varies by Style)
- Two Piece Construction for Easy Mounting & Access to Ducting

# ASHEVILLE

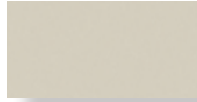
- CURVED -

## available finishes

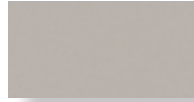
Our Wood Hoods are available in any one of our framed Highland Series paints and stains to match your cabinets seamlessly. In addition to our standard finishes, our hoods are available in an exclusive hood only finish, Shadow Black or Unfinished (Raw) for in-field color customization.



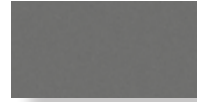
White



Antique White



Dove



Grey



Cinder



Saddle



Shadow Black

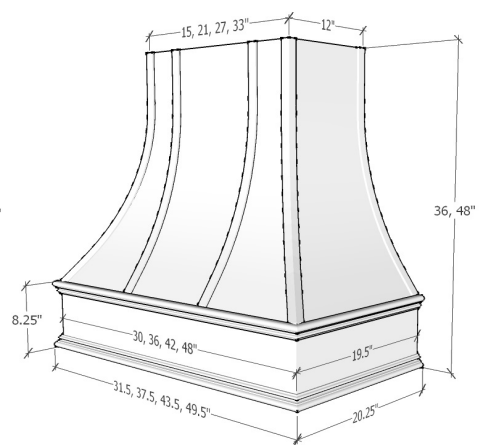
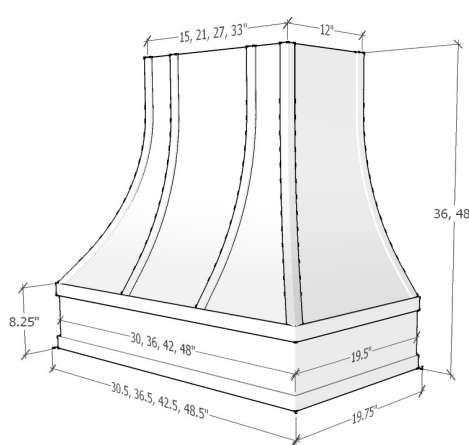
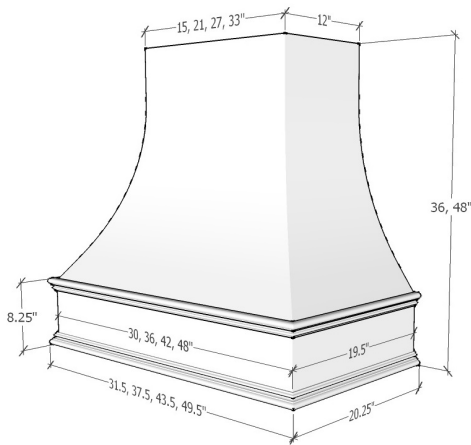


Unfinished (Raw)

\*exclusive hood finish

## frequently asked questions

What are the exterior & interior dimensions of the hoods?



Size	Interior Width at Bottom	Interior Depth at Bottom	Interior Width at Top	Interior Depth at Top
<b>3036</b>	28-1/2"	18"	13-1/2"	10-1/2"
<b>3636</b>	34-1/2"	18"	19-1/2"	10-1/2"
<b>4236</b>	40-1/2"	18"	25-1/2"	10-1/2"
<b>4836</b>	46-1/2"	18"	31-1/2"	10-1/2"
<b>3048</b>	28-1/2"	18"	13-1/2"	10-1/2"
<b>3648</b>	34-1/2"	18"	19-1/2"	10-1/2"
<b>4248</b>	40-1/2"	18"	25-1/2"	10-1/2"
<b>4848</b>	46-1/2"	18"	31-1/2"	10-1/2"

How many straps are on the chimney of strapped styles?

The number of straps on a hood is dependent on the overall width of the hood.

### One Strap

- 30"W

### Two Straps

- 36"W
- 42"W

### Three Straps

- 48"W